

Basic features

Application	Pneumatic cylinder with tie rods Piston diameter: any
Basic standard	Dimension tolerances: DIN ISO 2768 m
Principle of operation	BMF mounting bracket
Scope of delivery	Fastening part Mounting bracket
Use	for magnetic sensors BMF 32

Material

Material	Aluminum
Surface protection	anodized, black

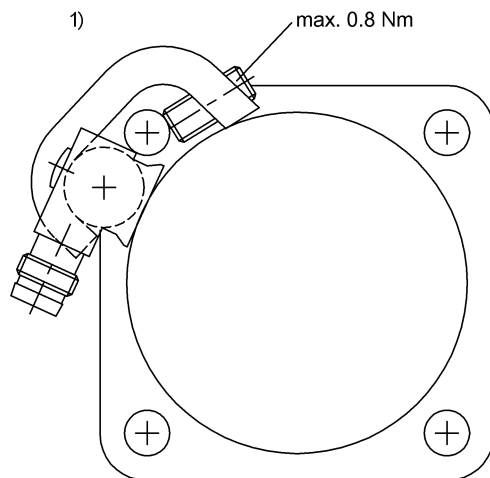
Mechanical data

Sensor attachment	Threaded pin ISO 4026 M5x12- A1 offset screwdriver ISO 2936 2.5
Tightening torque	0.8 Nm

Environmental conditions

Ambient temperature	-40...85 °C
----------------------------	-------------

Help Views



1) Mounting example