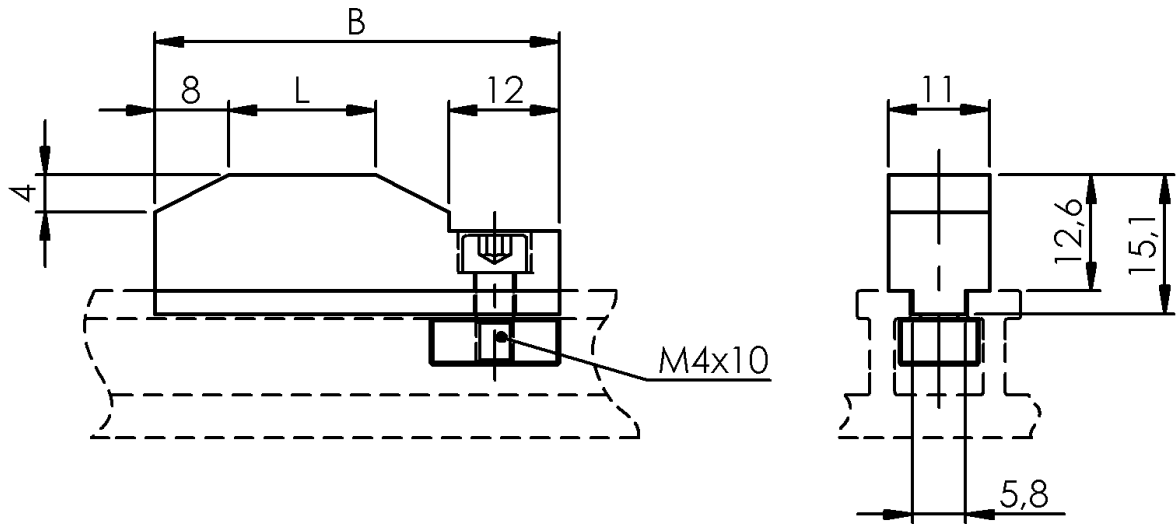
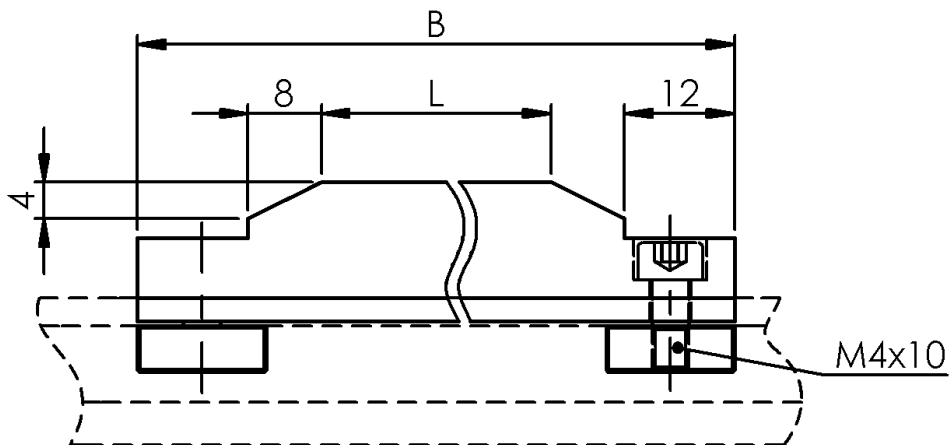


$L \leq 16$



$L \geq 20$



Basic features

Component	Linear cam
Per DIN 69639	yes
Principle of operation	Cams (mechanical)

Material

Material sensing surface	Steel
Surface	Bronzed
Surface hardened	HRC 63±2

Mechanical Accessories
BNN 520-TA-10
Order Code: BNN001T

BALLUFF

Mechanical data

Clamping system	Nut for T-slot
Fine-adjustable	no
Foot shape for	T-slot
Foot width	5.80 mm
Height above cam tray	12.60 mm

Switching surface, length (L)	10 mm
Use for cam tray	BNL 5310-120-...
Use for switch position spacing	12 mm
	16 mm
Width of switching area	11.00 mm
Working principle	Mechanical